

# High Security Bolt Seal Metal to prevent rotation

**MODEL NUMBER: 8089**



## Seal Classification

- High Security Seal
- Load to Failure : >1850kgs (4081lbs)
- Compliant with ISO17712:2013
- Diameter is more than 18mm

## Material

- Metal:A3 Steel
- Plastic:ABS

## Description

It is locked by hands lightly, after locking,  
The lock pin is fastened into the lock housing.  
The pin can not be twisted .Has "AntiSpin" features

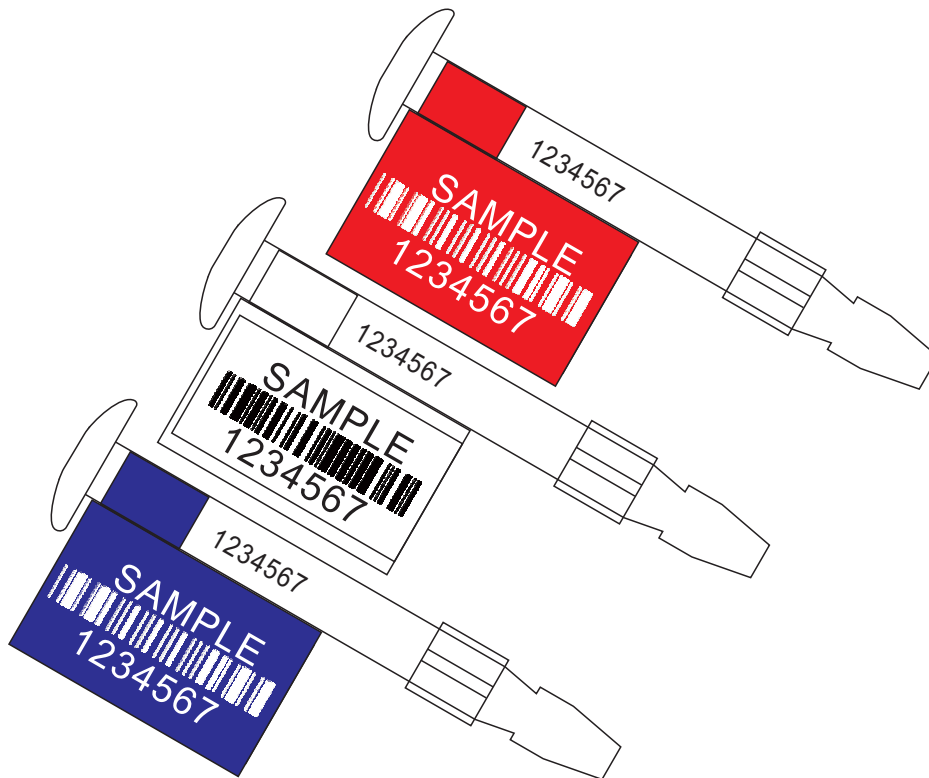
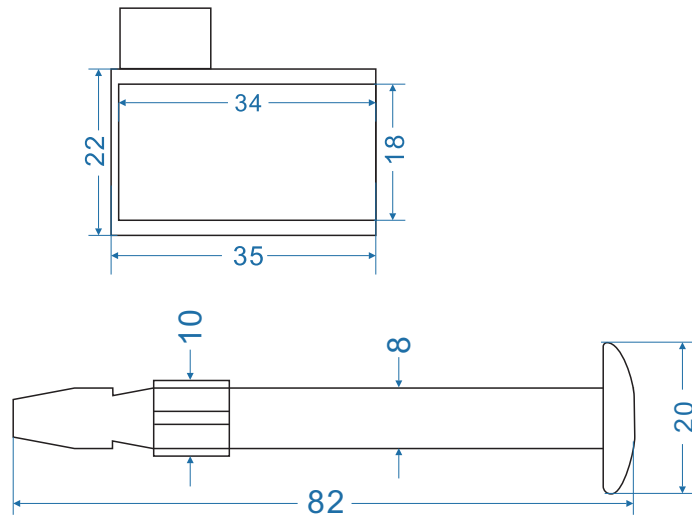
## Working Temperature

- 50°C to 120°C



# High Security Bolt Seal Metal to prevent rotation

**MODEL NUMBER: 8089**



# High Security Bolt Seal Metal to prevent rotation

**MODEL NUMBER: 8089**

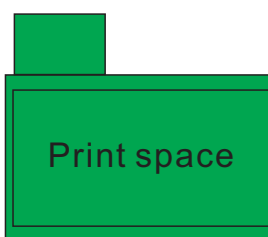


The groove on the plastic cover and groove on the pin, after locking, They like gear halved, the pin can not be rotated.



# High Security Bolt Seal Metal to prevent rotation

**MODEL NUMBER: 8089**



## Printing

- Laser engraving
- Company Logo/Name; Sequential number
- Bar code is good readable



# High Security Bolt Seal Metal to prevent rotation

**MODEL NUMBER: 8089**



Broken on the pin neck.

Color in the stock



Yellow



Orange



White



Blue



Green



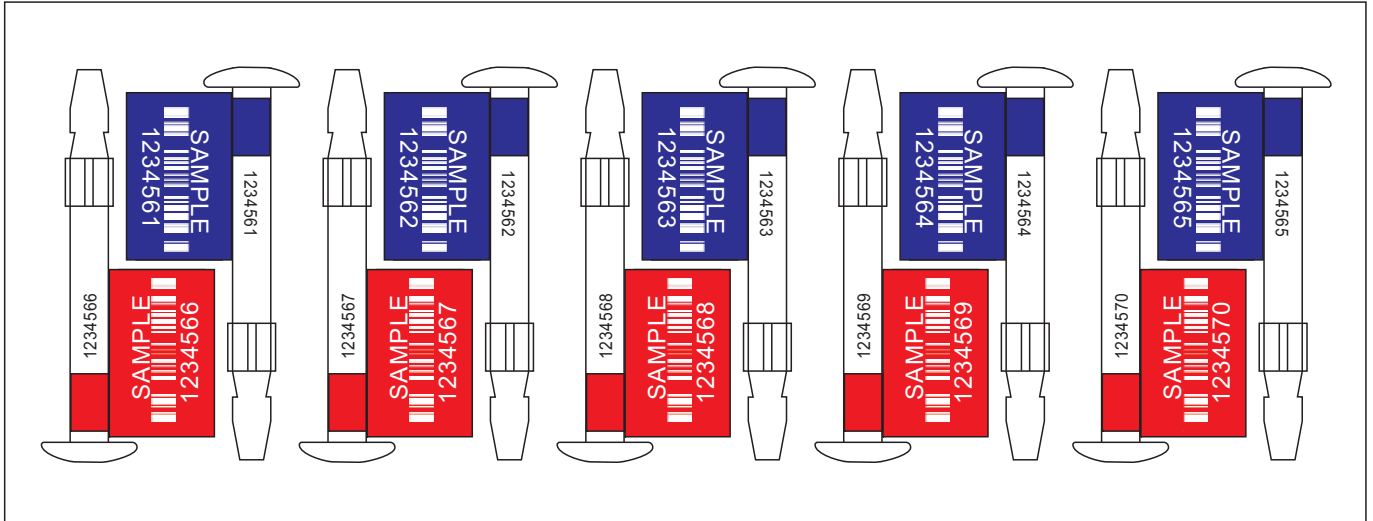
Red

The other color is available.



# High Security Bolt Seal Metal to prevent rotation

**MODEL NUMBER: 8089**



## Package

- 200pcs per carton
- Net weight: 14kgs
- Gross weight: 15kgs
- Measure : 335\*210\*300mm

